

# Speech Synthesiser Module

## Type SM018 MP3

**Publication Number PB195/1117**

### Application

The SM018 MP3 speech module has been specifically designed to plug into the Dewhurst CH024 & CH034 Serial Encoder Board. Through dedicated inputs on the encoder it provides facilities for floor identification, door opening, door closing, direction of travel as well as warning and information announcements.

### Features

the SM018 MP3 an enhanced version of the SM018 as it consists of the following enhanced features:

- Speech bandwidth is increased from 4KHz to 16KHz thereby providing better speech quality.
- Speech Storage is on a MMC / SD card for easy modification to the speech files in memory.
- It can announce up to 3 languages per floor.
- It can play background music during idle period.
- The 4 minute limit of the SM018 MP3 is increased to at least 800 minutes of speech using a 128MB MMC card with moderate MP3 compression.
- No limit of duration per phrase.

Up to 64 floor, 50 auxiliary, direction and door speech messages available. All the above are derived via the inputs into the CH024 or CH034 encoder. The SM018 MP3 incorporates a control to adjust normal speech volume 0 - 100dBA.

There is a large vocabulary of English phrases that will cover the majority of requirements. However, custom phrases can be accommodated.

The SM018 MP3 announcements provide clear information to lift users and are of particular importance to blind and partially sighted people for applications requiring compliance to Lift and Building Regulations.

### Installation

The SM018 MP3 is supplied with a loudspeaker and two line transformers, which allows the speaker to be situated up to 300 metres away from the speech module.

For optimum sound quality we recommend that the loudspeaker be mounted in the roof of the lift car or alternatively, it could be mounted behind a grille in the car operating panel or any other suitable location.

Since the SM018 MP3 is mounted in the machine room, the line transformers supplied need to be used in order to ensure minimum line resistance loss and distortion. This is dependant on cabling and distance.

### Specification

SM018 MP3 Board:

Power Supply	From CH024 or CH034
Consumption	Average 50mA, Peak 200mA
Audio Output	2.5 watts
Volume adjustment	0 - 100 dBA
Output interface	8/16 ohm speaker
Phrase Time	800 minutes
Dimensions (mm)	80H x 88W x 20D
Weight	100g

Speaker:

Dimensions (mm)	87L x 87W x 32D
Weight	150g
Four fixing holes	71 mm x 71 mm

Transformer:

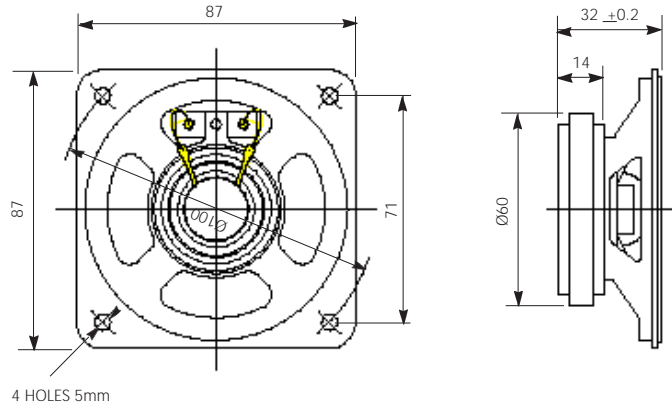
Dimensions (mm)	42L x 73W x 33D
Weight	50g

### EEC Directives

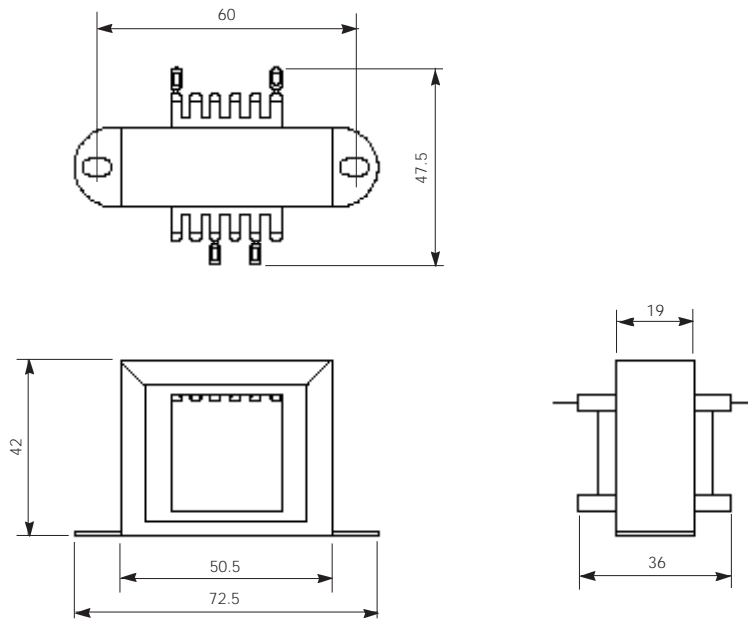
This component has been designed with due consideration to both BSEN81-20/50 and the EMC Directive 2014/30/EU standards BSEN12015 and BSEN12016 for incorporation in a lift application.

Power must be switched OFF before any maintenance is carried out.

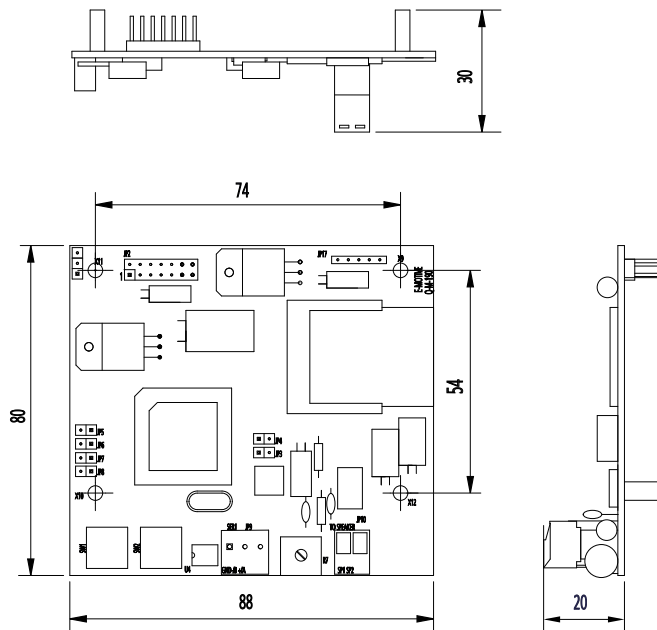
### SPEAKER TEMPLATE FIXING



### LINE TRANSFORMER



### SM018 MP3 PCB



All dimensions in mm